



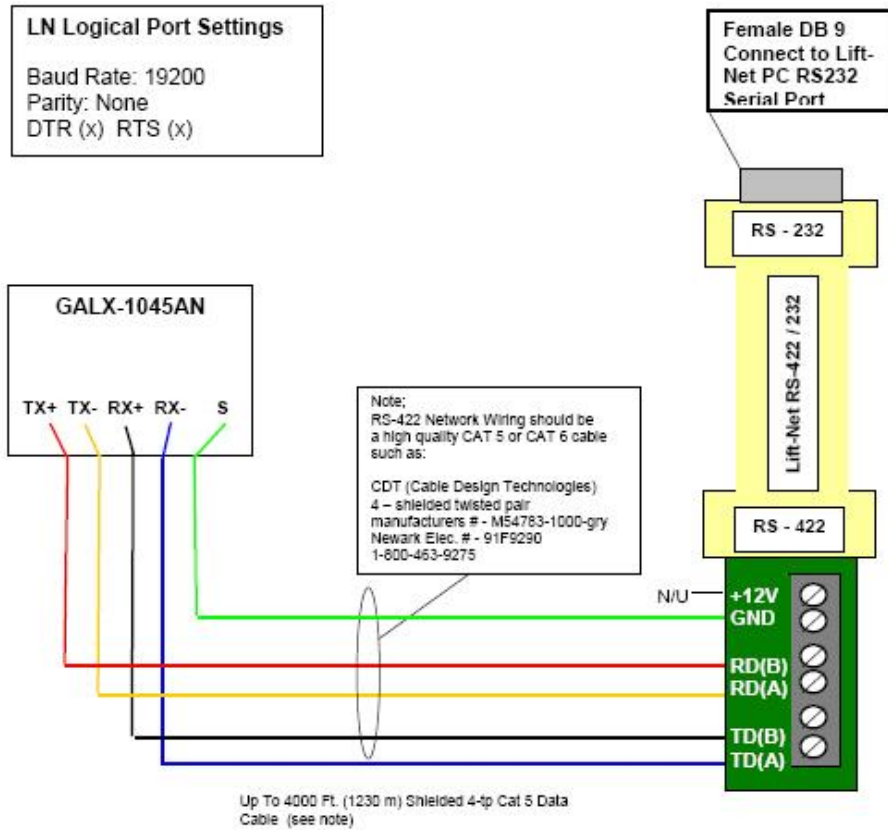
**LIFT-NET<sup>®</sup> / GAL CONNECTIONS**

---

**GALAXY**

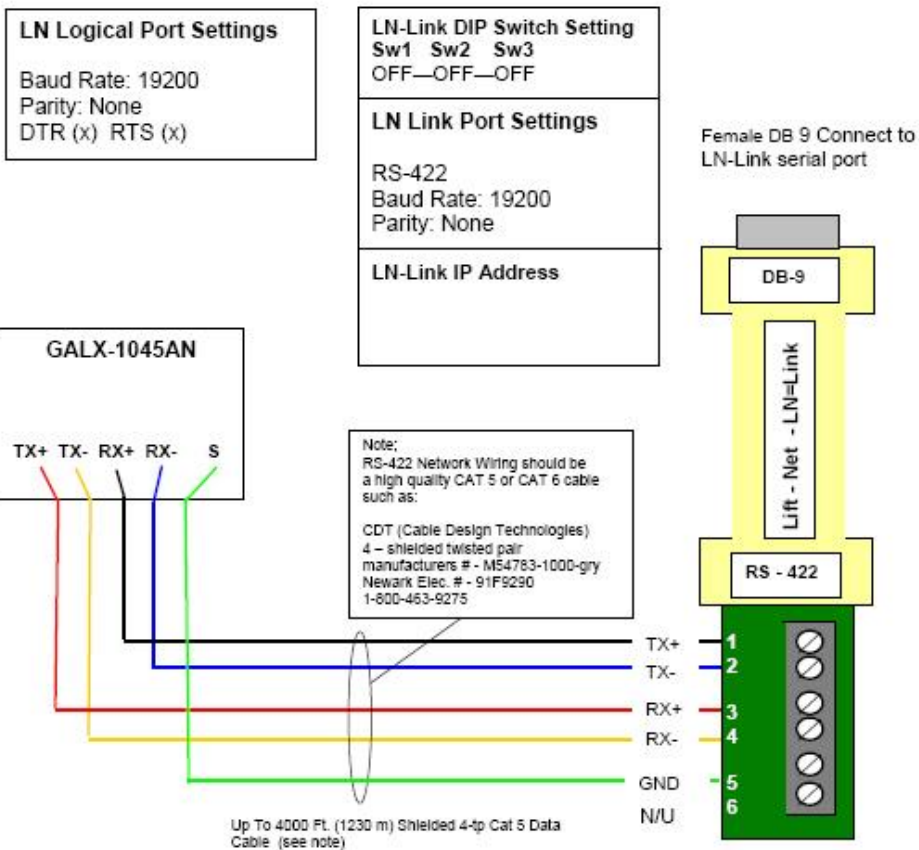
# GAL GALAXY - Lift-Net Serial Port

Use When connecting to a Lift-Net PC Serial Port



# GAL GALAXY - Lift-Net LN-LINK

## Connections When Using an LN-Link Ethernet Serial Server



## Logical Port Assignment

Whichever elevator controller com port is used to communicate with Lift-Net it must be assigned to a Lift-Net logical port.

To assign a logical com port, click on the Systems menu.

Arrow down then click on Expert Computer Setup (Port Assignment)

Use the spinner to assign the Logical port to the com port that this car or group is connected to.

When using a LN\_Link box assign logical port to LN\_Link port 4000.

Fill in the IP address assigned by local IT Dept.

Integrated Display ONLY Computer Configuration

Identity Save Cancel

Lift-Net Version #16.53 Config File Version # 15.03 JobName UWM Config File Date Wed, Dec 20, 2006 2:51 pm  Override Screen Dimensions

Lift-Net Executable Date Wed, Sep 12, 2007 Screen Dimensions (w by h) Screen 1024 / 768 LiftNet 1024 / 768

Local IP Address if using IP Ports      Use Second Network Card for data input

Logical Port	Assigned Port	Baud Rate	Parity	DIR	RTS	DHCP or IP Address	Banks Using This Port	Automatic Refresh All Frequency	IDS Panel Refresh by Board
1	Comm1	19200	None	<input checked="" type="checkbox"/>	<input checked="" type="checkbox"/>		H.C. White	<input type="text" value="None"/>	<input type="checkbox"/> No
3	Comm2	9600	None	<input checked="" type="checkbox"/>	<input checked="" type="checkbox"/>		Old Hosp #13	<input type="text" value="None"/>	
4	Net Burner						Old Hosp 6/7	<input type="text" value="None"/>	
33	LN-Link (Port 4000)	<input type="checkbox"/> Server				<input type="checkbox"/> 192 168 6 155	Lot 76 -1	<input type="text" value="None"/>	
34	LN-Link (Port 4007)	<input type="checkbox"/> Server				<input type="checkbox"/> 192 168 6 156	Lot 76 -2	<input type="text" value="None"/>	
35	GE Ethernet						Chamberlin -1	<input type="text" value="None"/>	
36	ATOP TCP/IP					<input type="checkbox"/> 192 168 6 156	Chamberlin -2	<input type="text" value="None"/>	
38	Systech					<input type="checkbox"/> 0 0 0 0	Extra Status from Chamberlin -1	<input type="text" value="None"/>	<input type="checkbox"/> No
39	LobbyVision					<input type="checkbox"/> 0 0 0 0	Extra Status from Chamberlin -2	<input type="text" value="None"/>	<input type="checkbox"/> No
40	Net Used						Park St. #1-2	<input type="text" value="None"/>	
41	Kone Elink					<input type="checkbox"/> 192 168 4 100	Park St. #3-4	<input type="text" value="None"/>	
42	MCE IPlatform					<input type="checkbox"/> 192 168 6 157	Vet #1	<input type="text" value="None"/>	
43	Kone OPC						Vet #2	<input type="text" value="None"/>	
44	Special (Port 4001)					<input type="checkbox"/> 192 168 6 157	Chemistry 3 Controls	<input type="text" value="None"/>	
45	Special (Port 4031)					<input type="checkbox"/> 192 168 6 154	Extra Status from Chemistry	<input type="text" value="None"/>	<input type="checkbox"/> No